

## Flow Rates Peristaltic Pump

Model No. : LabN1-III, LabN3-III, LabN6-III  
Flow Rate : 0.0053-3100mL/min



Single Channel



Dual Channel

### Product Features

3.2" color LCD screen display.

Flow rate and motor speed display in same screen.

Timing function, time range 0.1s-9999 hours, can be used for simple dispensing function.

### Screen Display

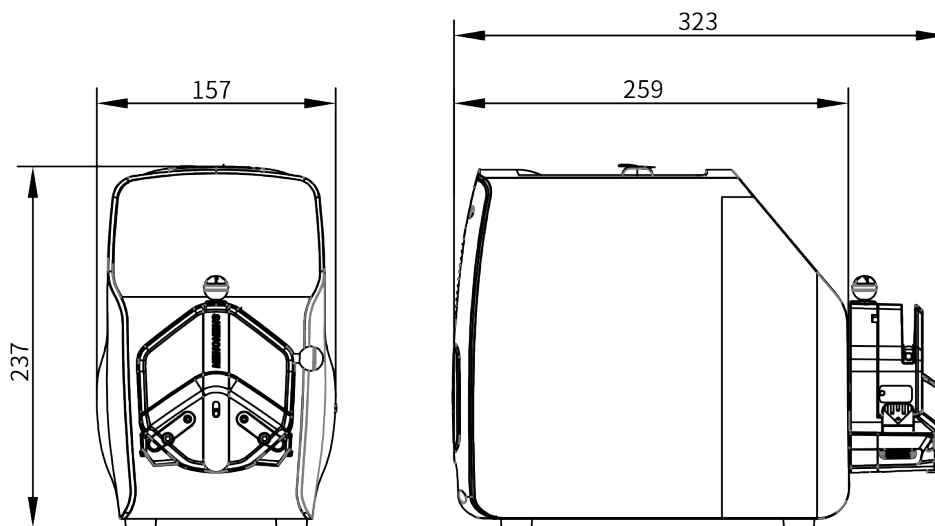




## Technical Specifications

Speed resolution	0.1rpm	Start/stop, reversing signal	Passive switch signal, such as foot pedal; Active switch signal: 5V,12V, 24V for option
Back suction angle	0-360°		
Testing time range	0.1 s-9999 h	Communication interface	RS232, RS485 support Modbus protocol(RTU mode)
Outlet pressure	1.6~2.4mm wall thickness tubing: 0.1~0.27Mpa		
Display	3.2" high definition LCD screen	Output interface	Output motor working status (Open-Collector output)
Control method	Knob speed and Mechanical keypad	Power supply	AC 220V±10% 50Hz/60Hz (standard)
Motor type	Servo motor		AC 110V±10% 50Hz/60Hz (optional)
Keypad lifetime	300,000 times	Drive dimension (L×W×H)	261.4×157.3×236.9mm
Control method	Touch screen and Mechanical keypad		
Keypad lifetime	300,000 times	Power consumption	<50W
External speed control signal	0-5V, 0-10V, 4-20mA for option	Condition temperature	0-40°C
Relative humidity	<80%	IP rate	IP31

## Dimension Drawing (Unit:mm)





## Pump Head



EasyPump Series (Pressure Adjustable)



EasyPump Series (Fixed Pressure)

## Pump Head & Flow Rate

Pump Head	Single/Dual Channel	Tubing Wall Thickness(mm)	Pressure Adjustable
EasyPump I	Single Channel	1.6	No
EasyPump II	Single Channel	2.4	No
EasyPump V	Dual Channel	1.6	No

Pump Head	Single/Dual Channel	Tubing Wall Thickness(mm)	Pressure Adjustable
EasyPump III	Single Channel	1.6	Adjustable
EasyPump IV	Single Channel	2.4	Adjustable
EasyPump VI	Dual Channel	1.6	Adjustable



Pump Head	Tubing	ID×Wall thickness(mm)	mL / r	Flow Rate(mL/min) (LabN1-III, 0.1-150rpm)	Flow Rate(mL/min) (LabN3-III, 0.1-350rpm)	Flow Rate(mL/min) (LabN6-III, 0.1-600rpm)
Single Channel EasyPump I/III	13#	0.8×1.6	0.053	0.0053~8	0.0053~19	0.0053~32
	14#	1.6×1.6	0.27	0.027~41	0.027~95	0.027~162
	19#	2.4×1.6	0.55	0.055~83	0.055~193	0.055~330
	16#	3.1×1.6	0.933	0.093~140	0.093~327	0.093~560
	25#	4.8×1.6	1.967	0.197~295	0.197~688	0.197~1180
	17#	6.4×1.6	3.333	0.333~500	0.333~1167	0.333~2000
	18#	7.9×1.6	4.3	0.430~645	0.430~1505	0.430~2580
Single Channel EasyPump II/IV	15#	4.8×2.4	1.8	0.180~270	0.180~630	0.180~1080
	24#	6.4×2.4	2.733	0.273~410	0.273~957	0.273~1640
	35#	7.9×2.4	3.833	0.383~575	0.383~1342	0.383~2300
	36#	9.6×2.4	5.167	0.517~775	0.517~1808	0.517~3100
Dual Channel EasyPump V/VI	13#	0.8×1.6	0.0053	0.0053~8	0.0053~19	0.0053~32
	14#	1.6×1.6	0.27	0.027~41	0.027~95	0.027~162
	19#	2.4×1.6	0.55	0.055~83	0.055~193	0.055~330
	16#	3.1×1.6	0.933	0.093~140	0.093~327	0.093~560
	25#	4.8×1.6	1.967	0.197~295	0.197~688	0.197~1180