

# Multi-channel medium flow Pump Head

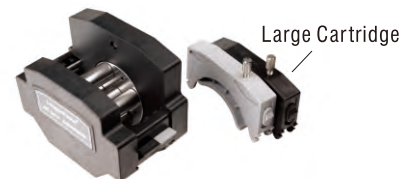
## DG15 Series



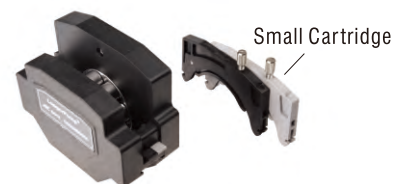
Max. Flow Rate



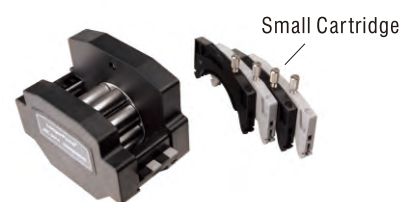
### Pump Head type



DG15-24

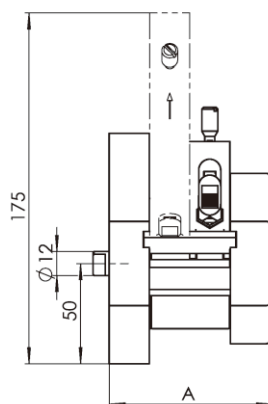
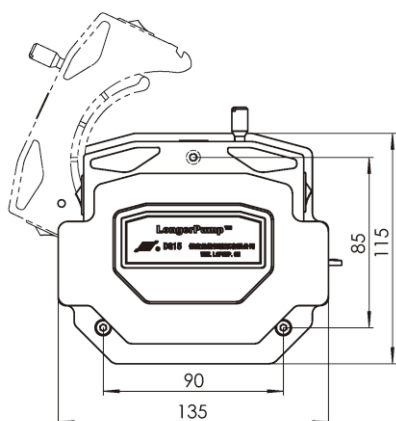


DG15-28



DG15-48

- DG15 - 24: 2 Channels 4 Rollers
- DG15 - 28: 2 Channels 8 Rollers
- DG15 - 48: 4 Channels 8 Rollers



PUMP HEADS

**Patented design (Patent Number: 200520026479.2), DG15-24 can replace two stacked YZ1515X.**

**DG15-28 and DG15-48 can provide bigger flow rates than DG-2 and DG-4.**

**Adjustable occlusion can accept several different tubing wall thicknesses.**

| Model   | Product Code | Channel Number | Roller Number | Roller Material | Cartridge Material | Speed (rpm) | Tubing  | Max. Flow Rate (mL/min) | Weight (kg) |
|---------|--------------|----------------|---------------|-----------------|--------------------|-------------|---|-------------------------|-------------|
| DG15-24 | 05.01.16A    | 2              | 4             | Stainless steel | POM                | ≤600        | 16" 25" 17"   | 1800 (Single Channel)   | 0.82        |
| DG15-28 | 05.01.17A    | 2              | 8             |                 |                    | ≤100        | 13" 14"<br>ID ≤ 3.17mm<br>Wall thickness<br>0.8mm-1.0mm | 75 (Single Channel)     | 0.67        |
| DG15-48 | 05.01.18A    | 4              | 8             |                 |                    | ≤100        | 13" 14"<br>ID ≤ 3.17mm<br>Wall thickness<br>0.8mm-1.0mm | 75 (Single Channel)     | 0.87        |